

ISTRUZIONI MONTAGGIO

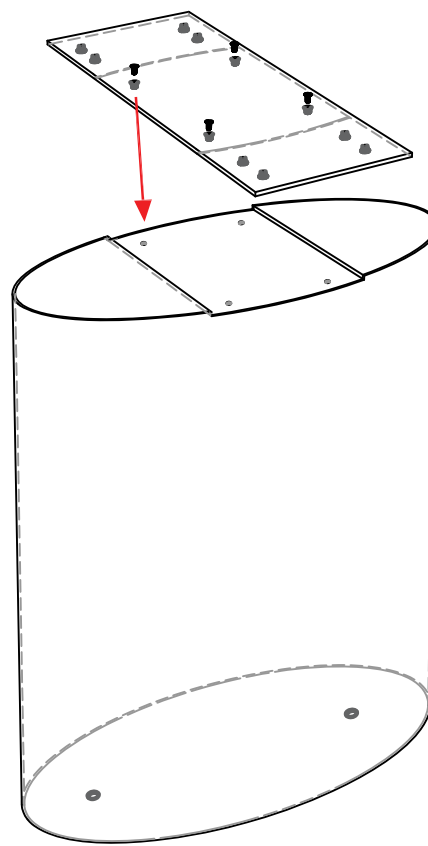
ASSEMBLY INSTRUCTIONS

MONTAGE EINWEISUNG

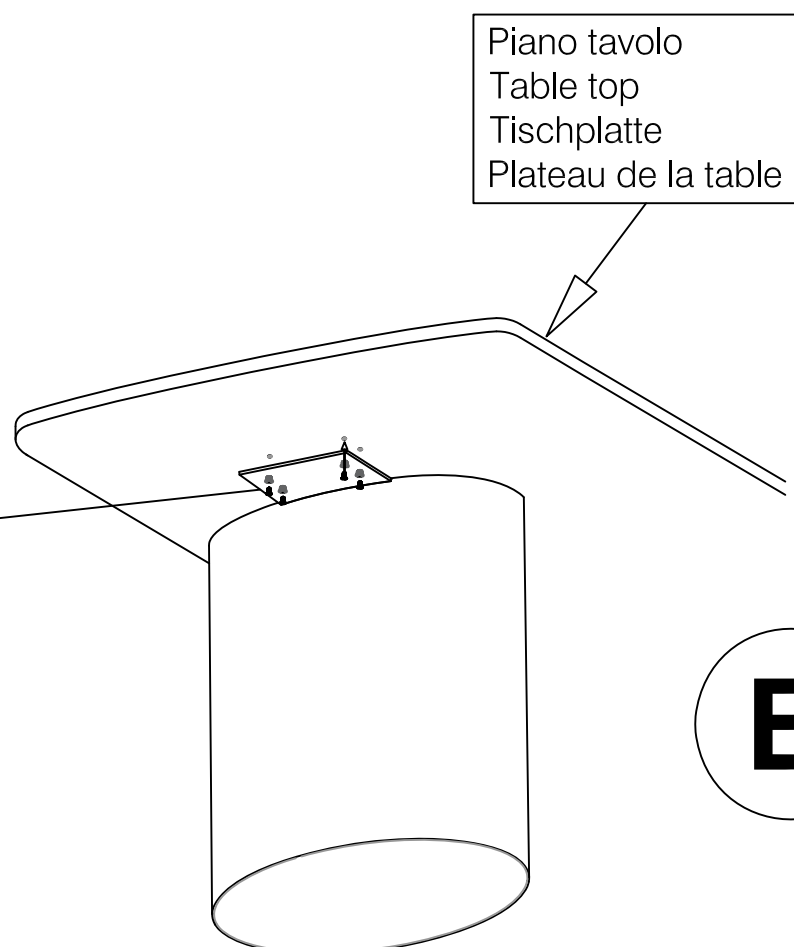
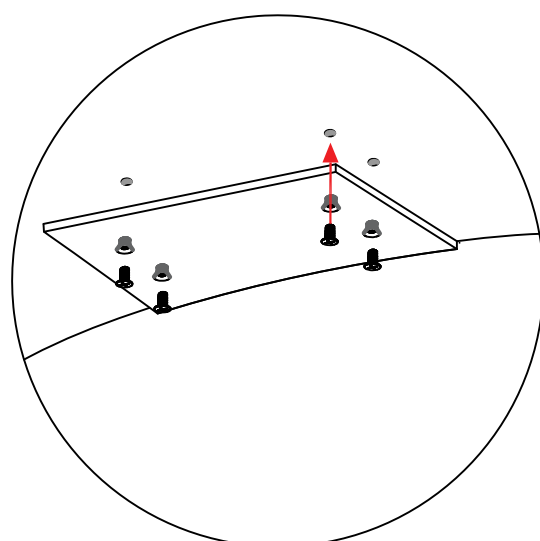
INSTRUCTIONS DE MONTAGE



FERRAMENTA =12 viti 8M TS 20 mm.
HARDWARE =12 screws 8M TS 20 mm.
EISENWAREN =12 Schraube 8M TS 20 mm.
QUINCAILLERIES =12 vis 8M TS 20 mm.



A



B